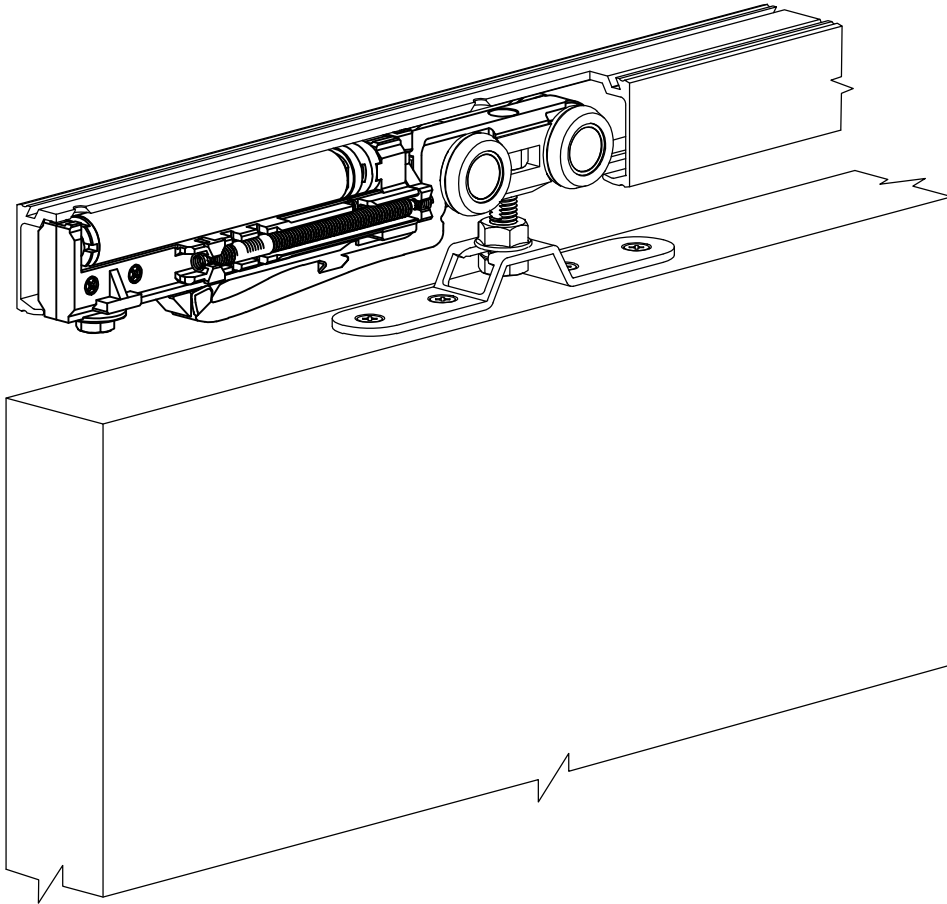
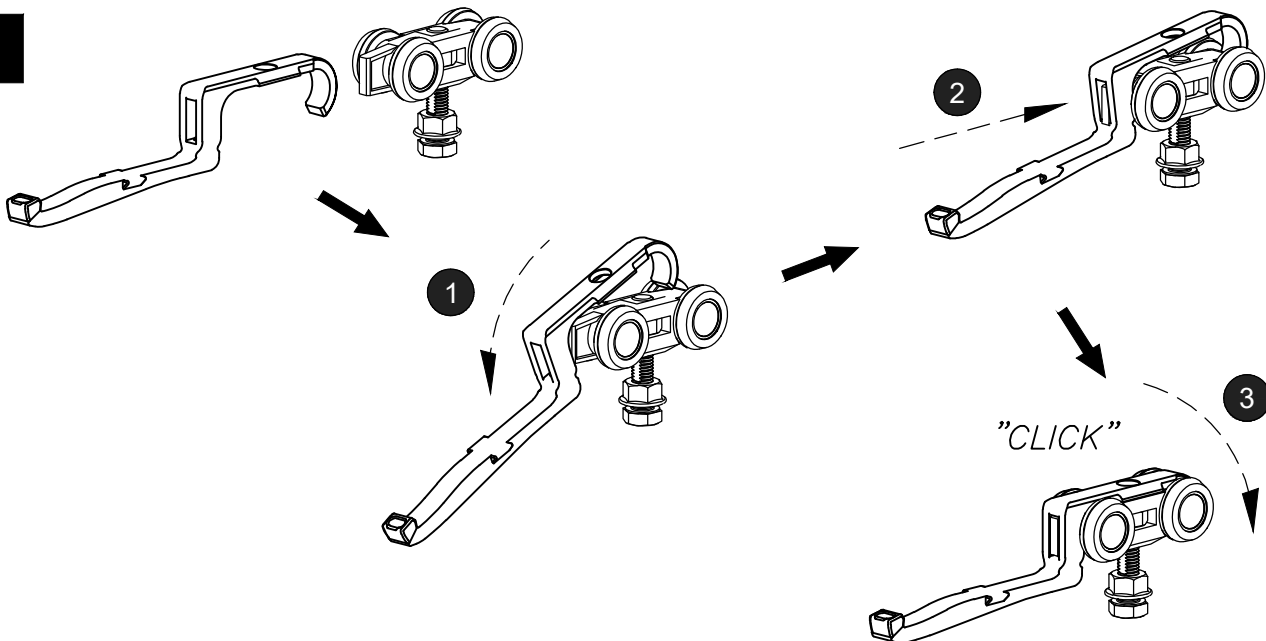


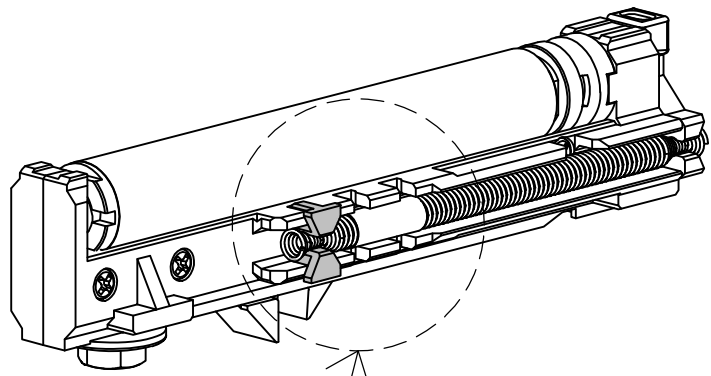
1
x1



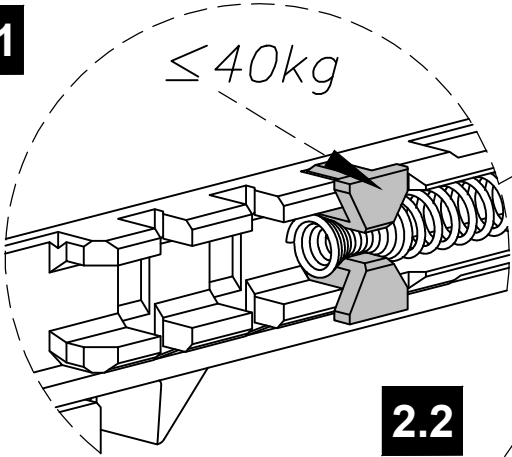
1



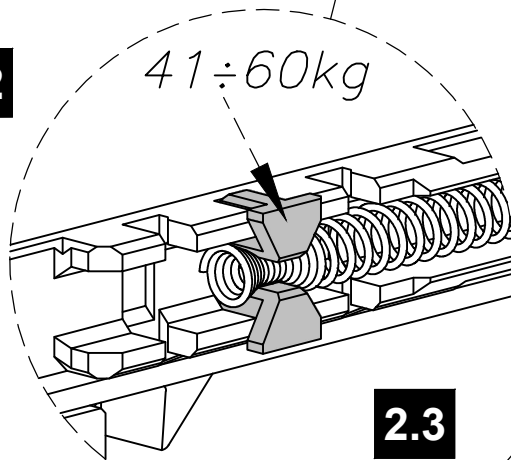
2



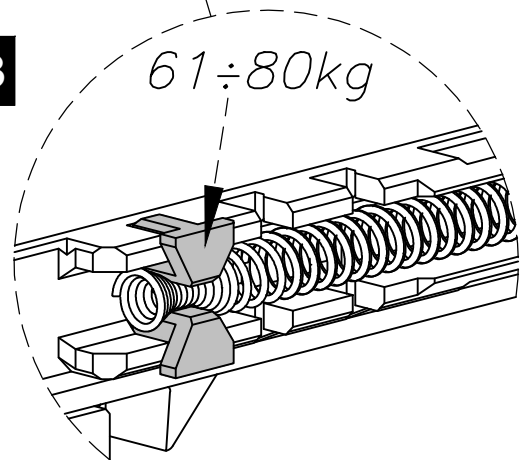
2.1



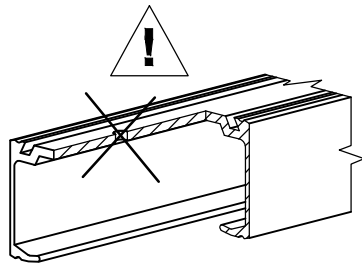
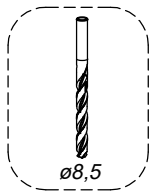
2.2



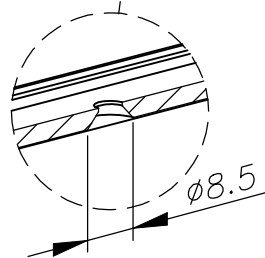
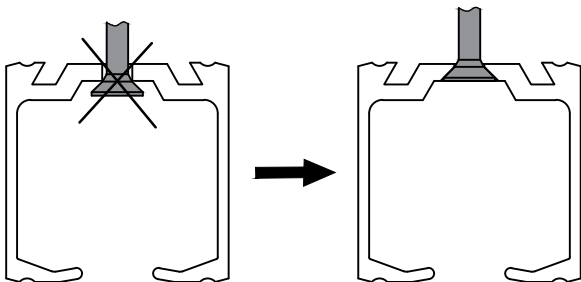
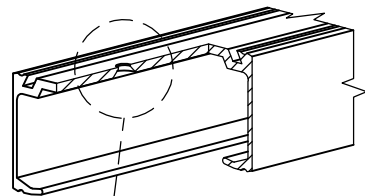
2.3



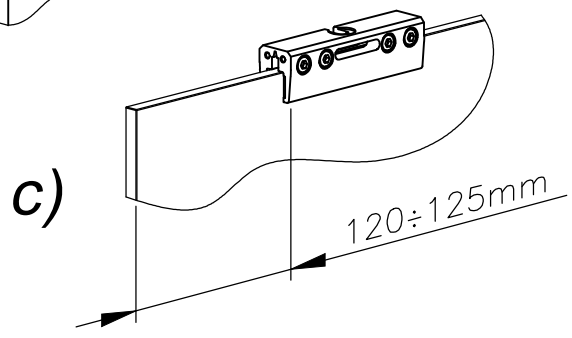
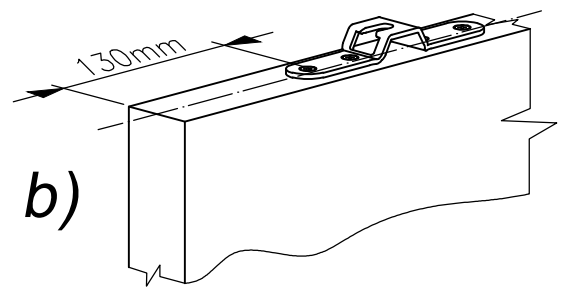
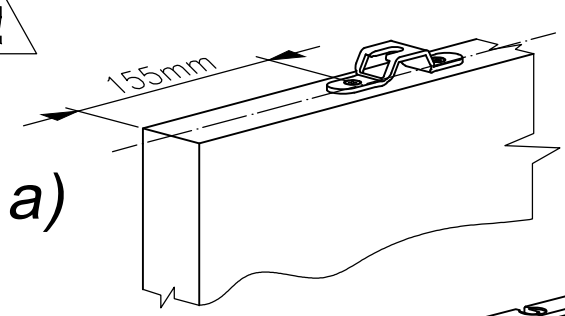
3



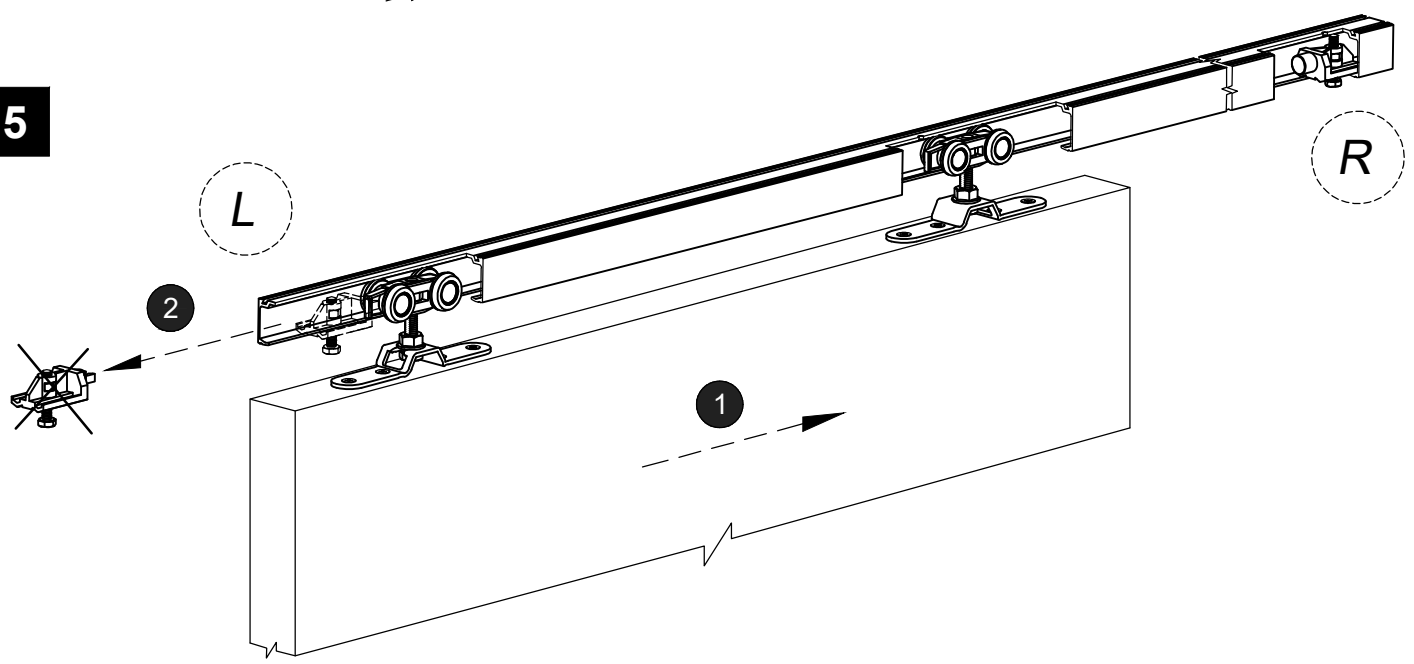
xn



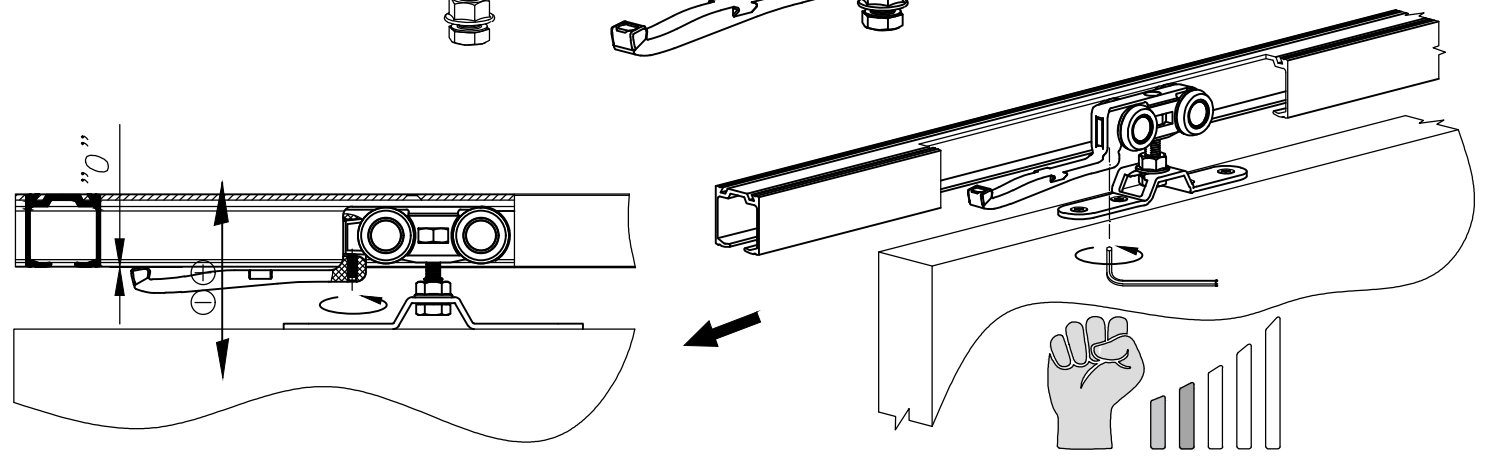
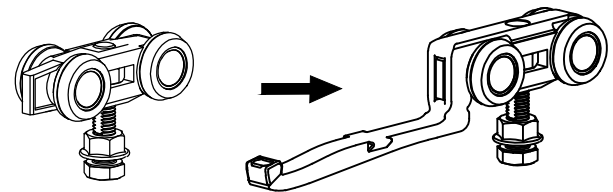
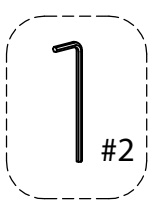
4



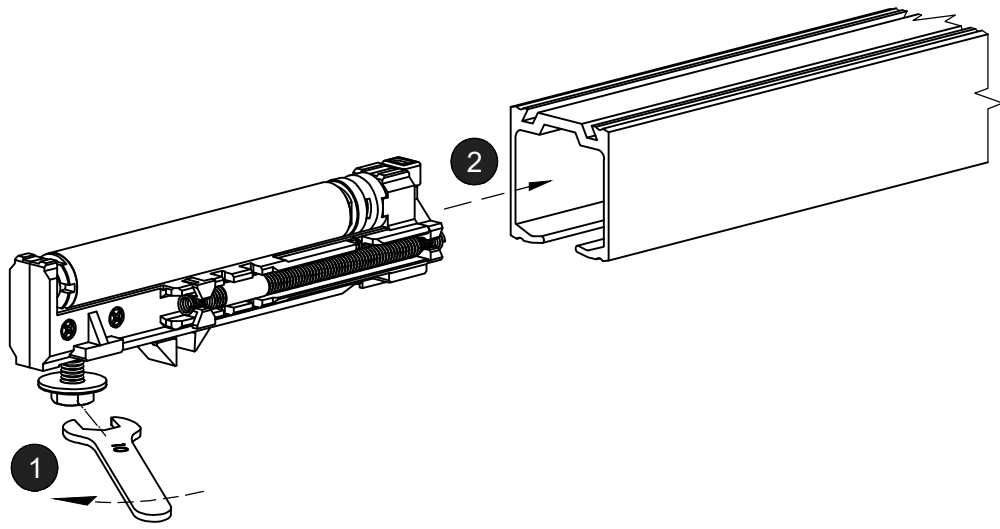
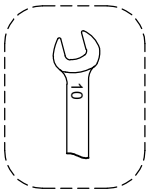
5



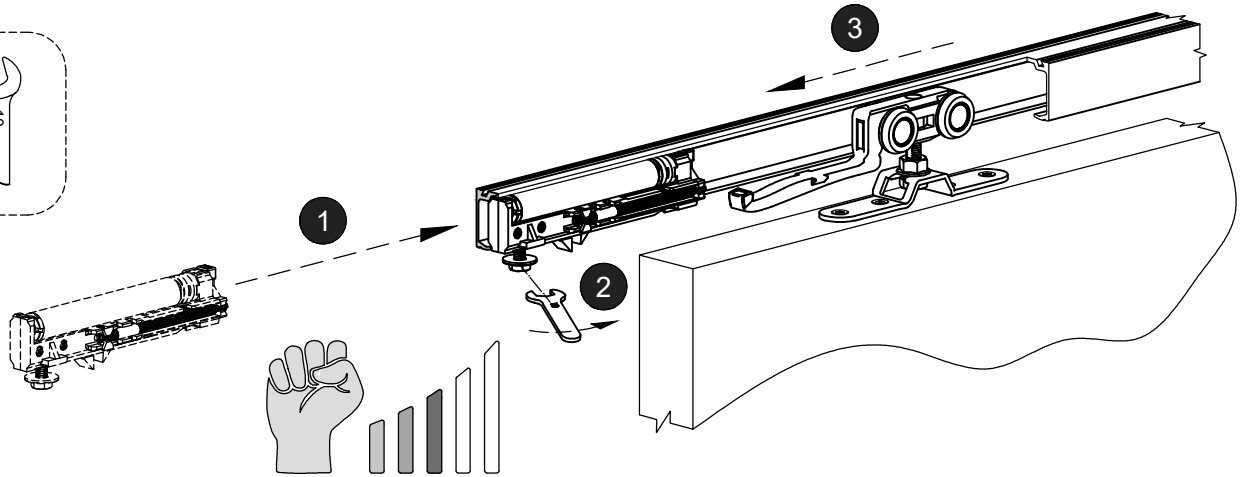
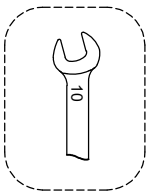
6



7



8



9

