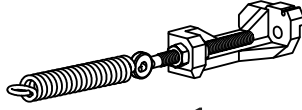




x1



x2



x1



x1



x1



x2



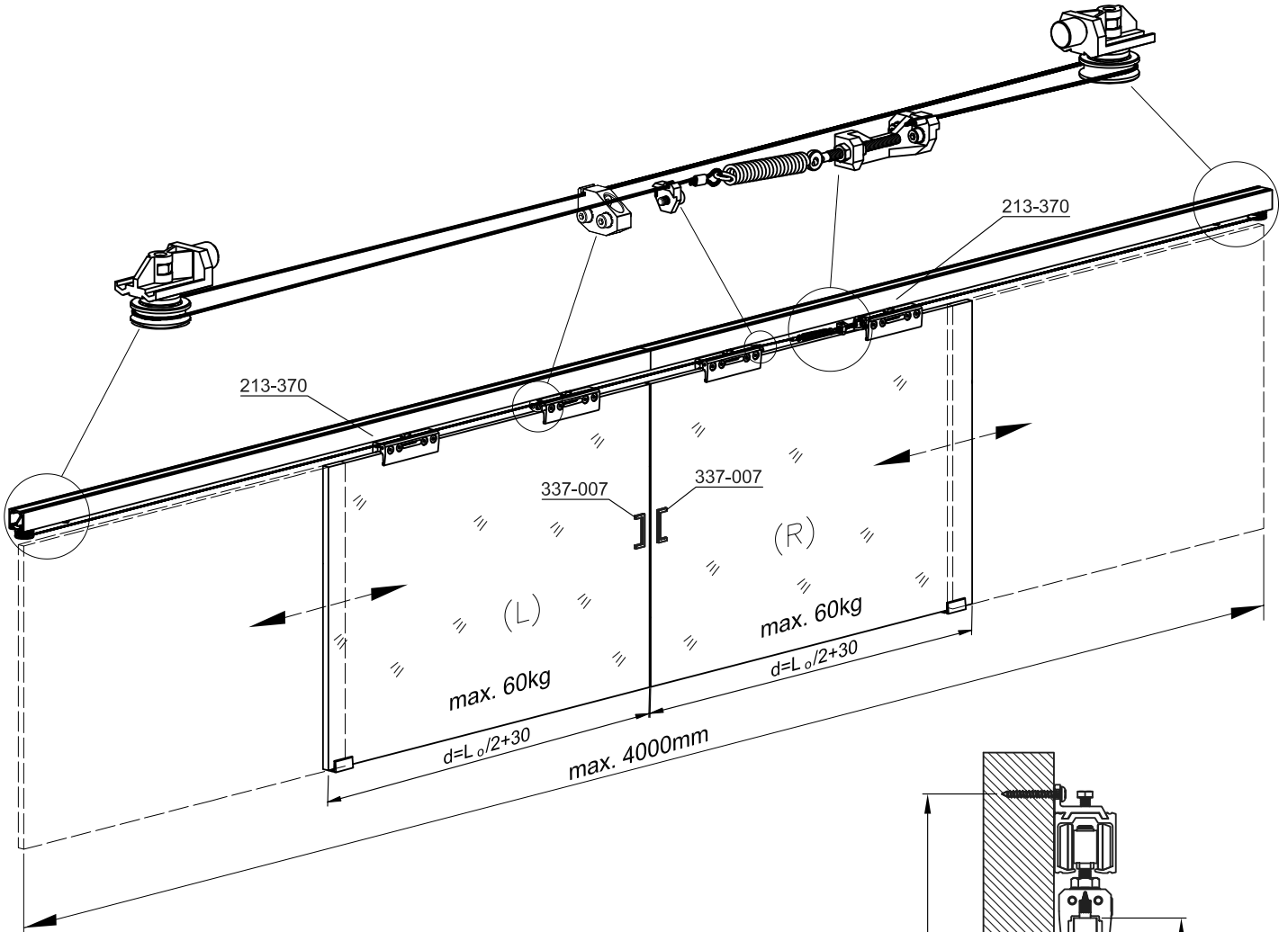
x3



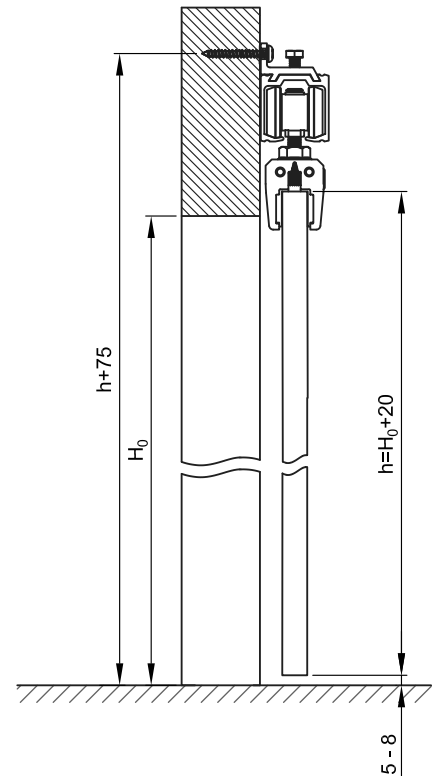
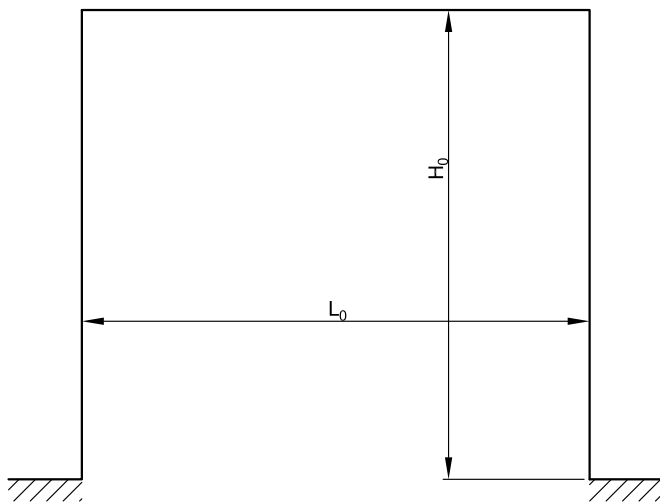
x5

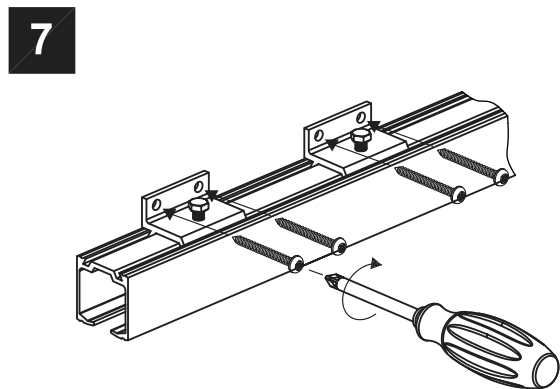
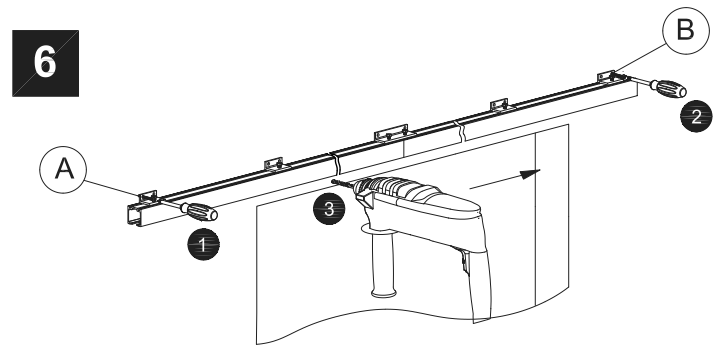
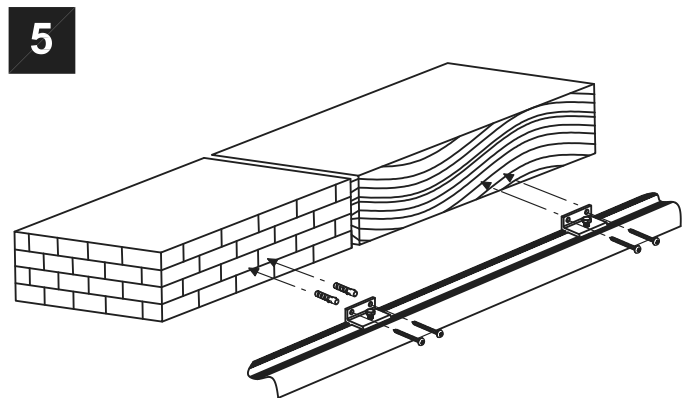
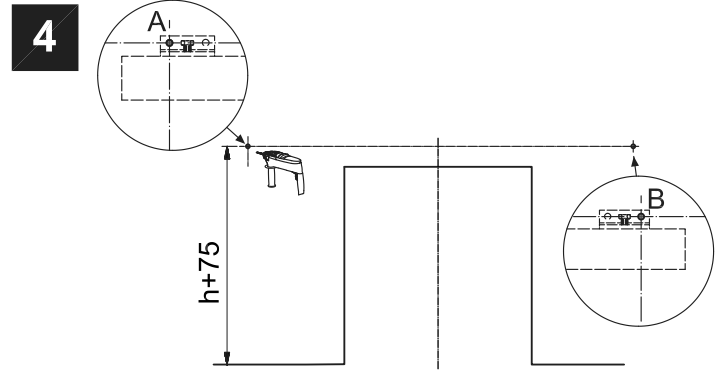
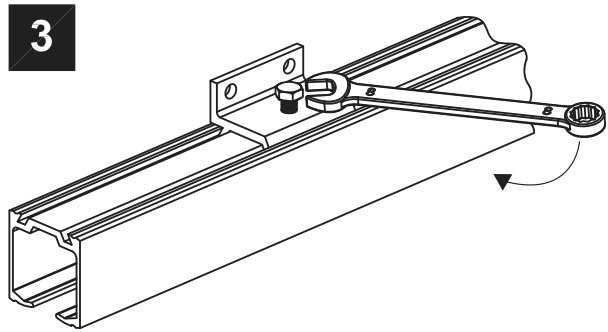
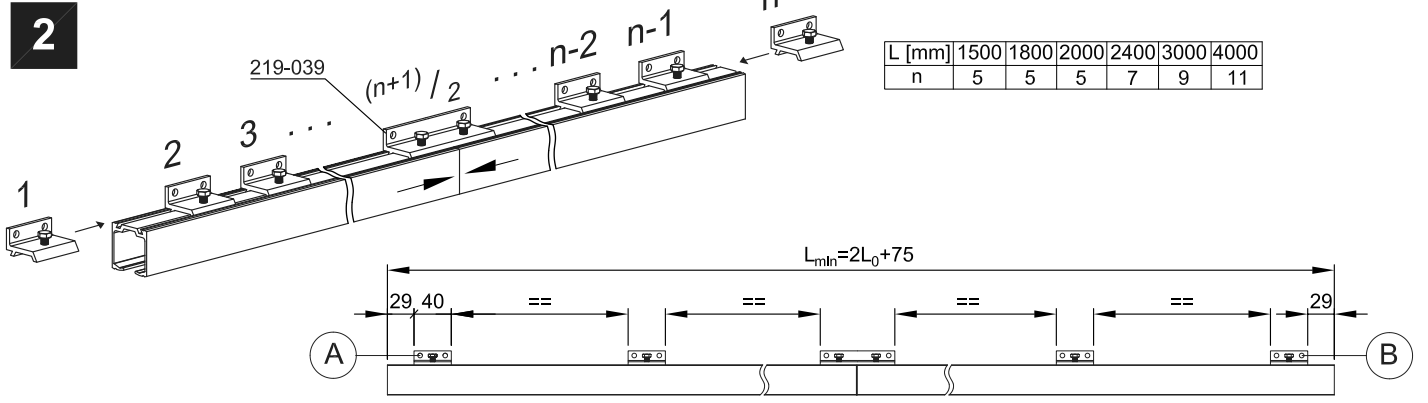


x1

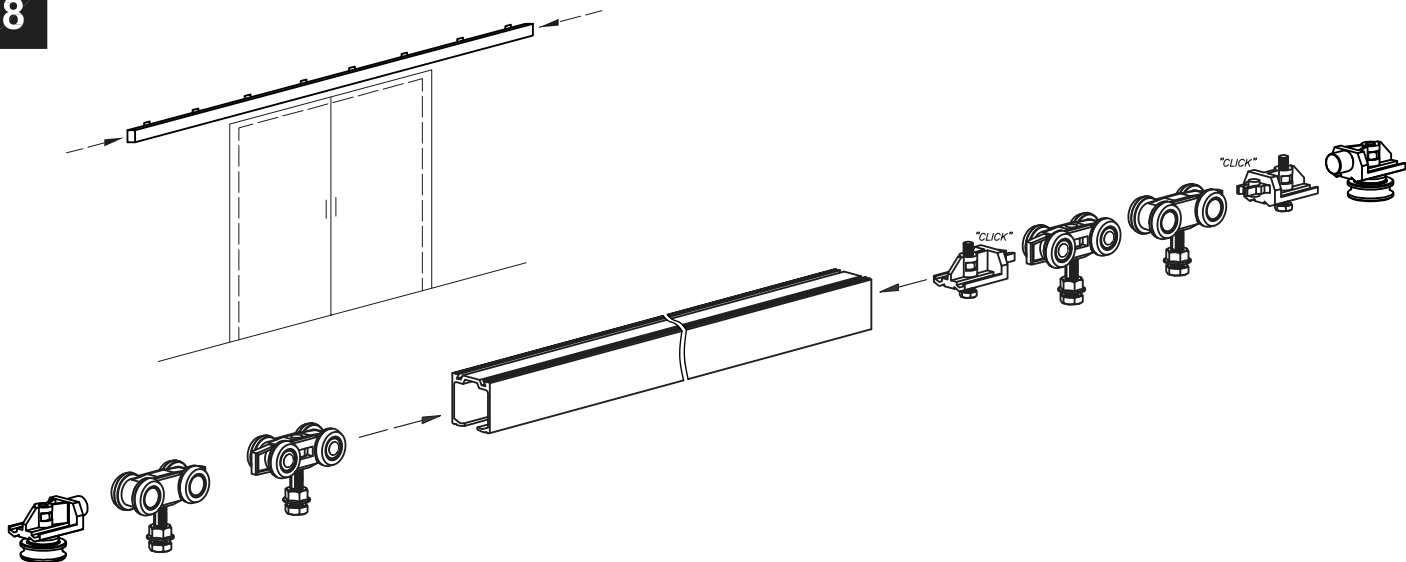


1

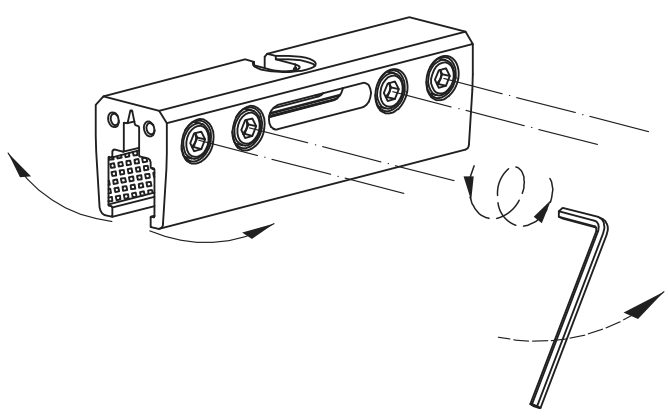




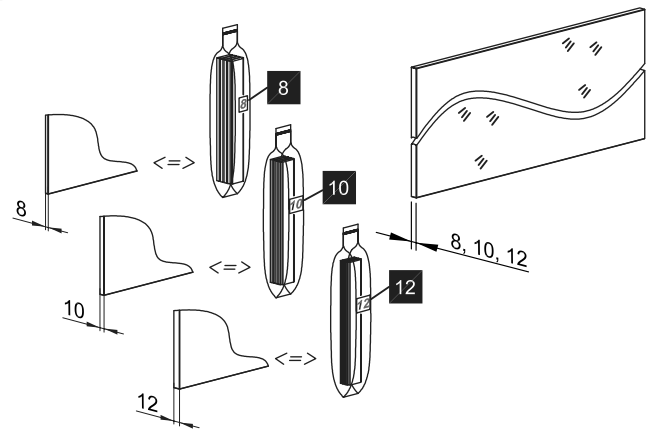
8



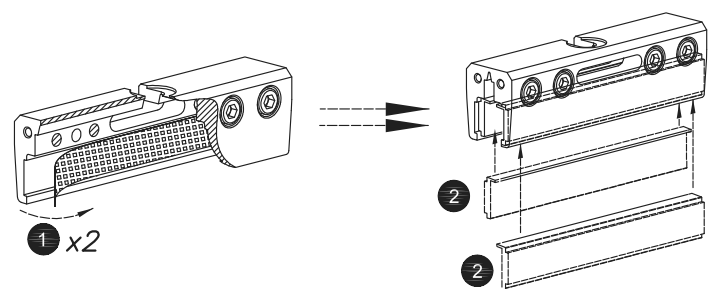
9



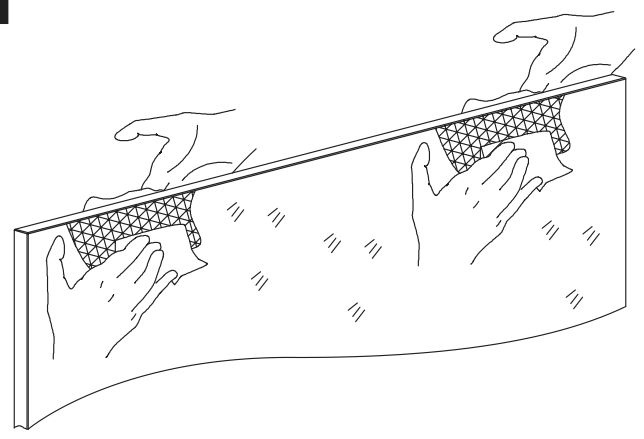
10



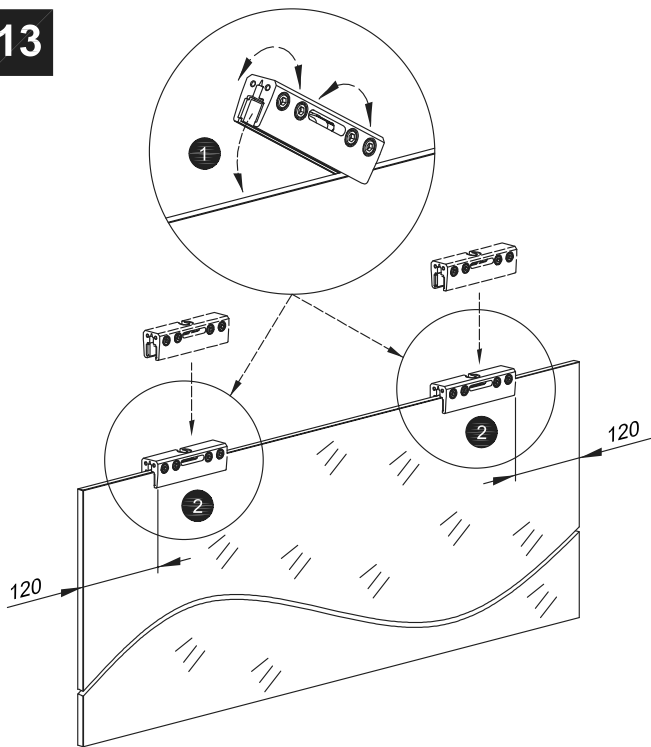
11



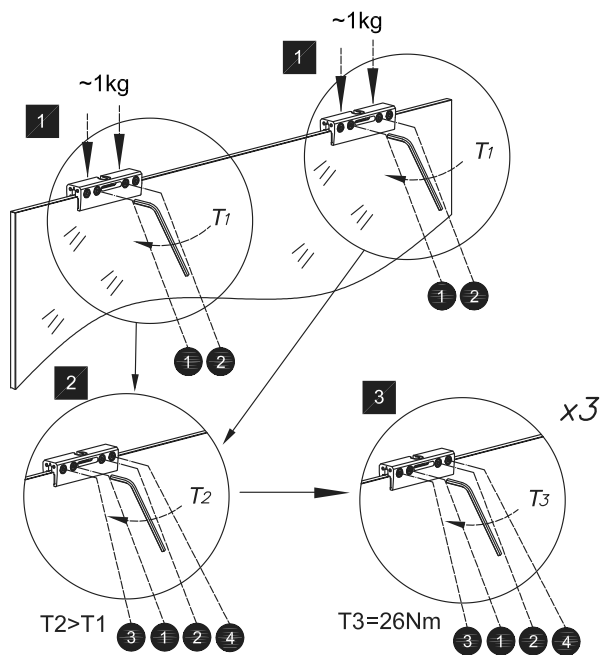
12



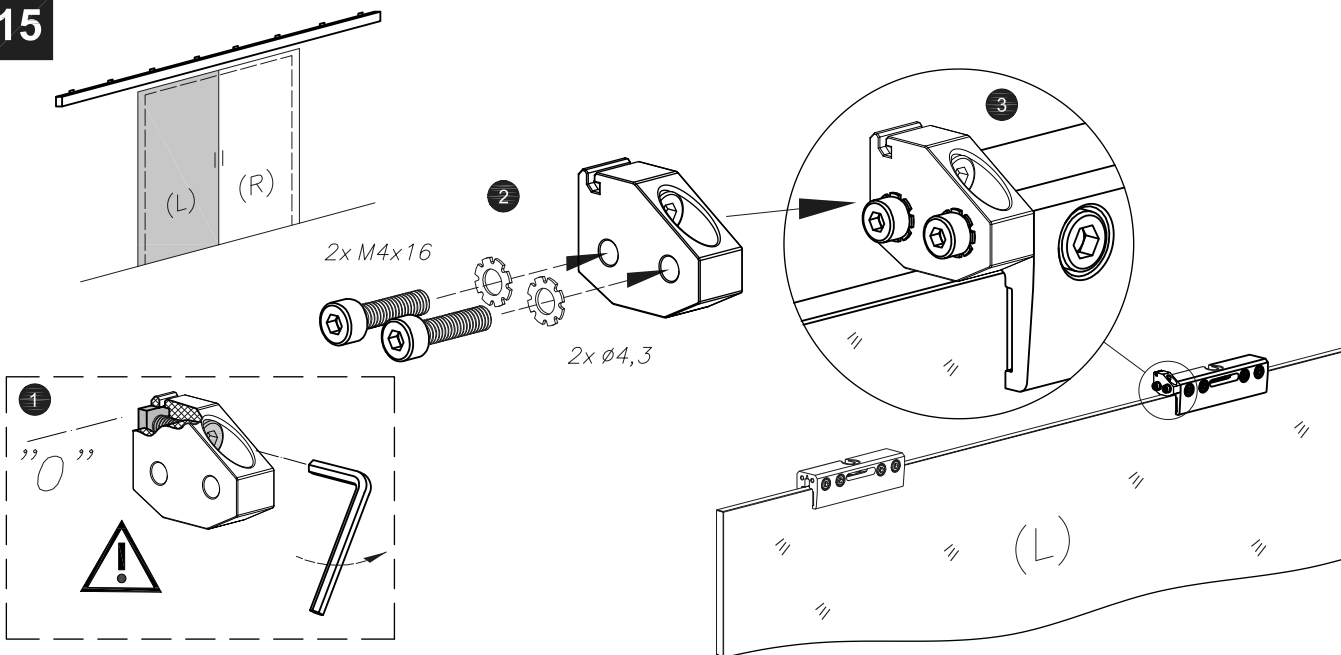
13



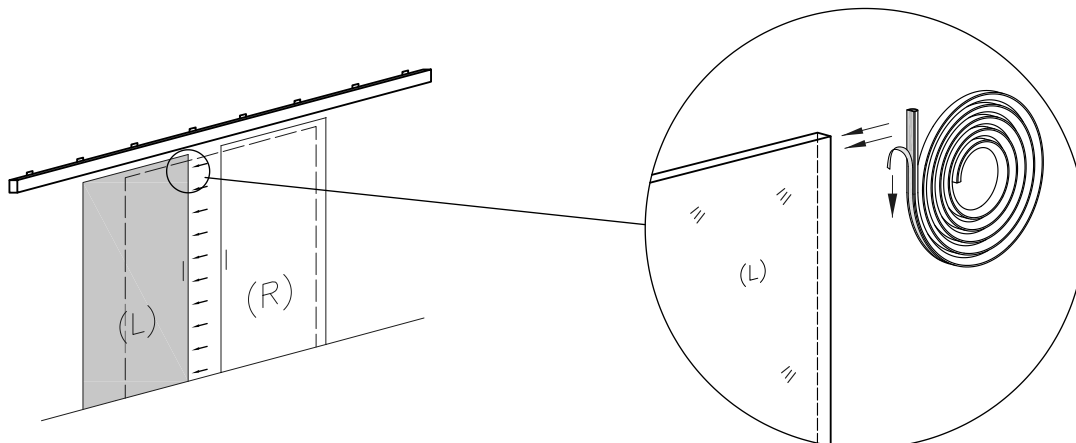
14



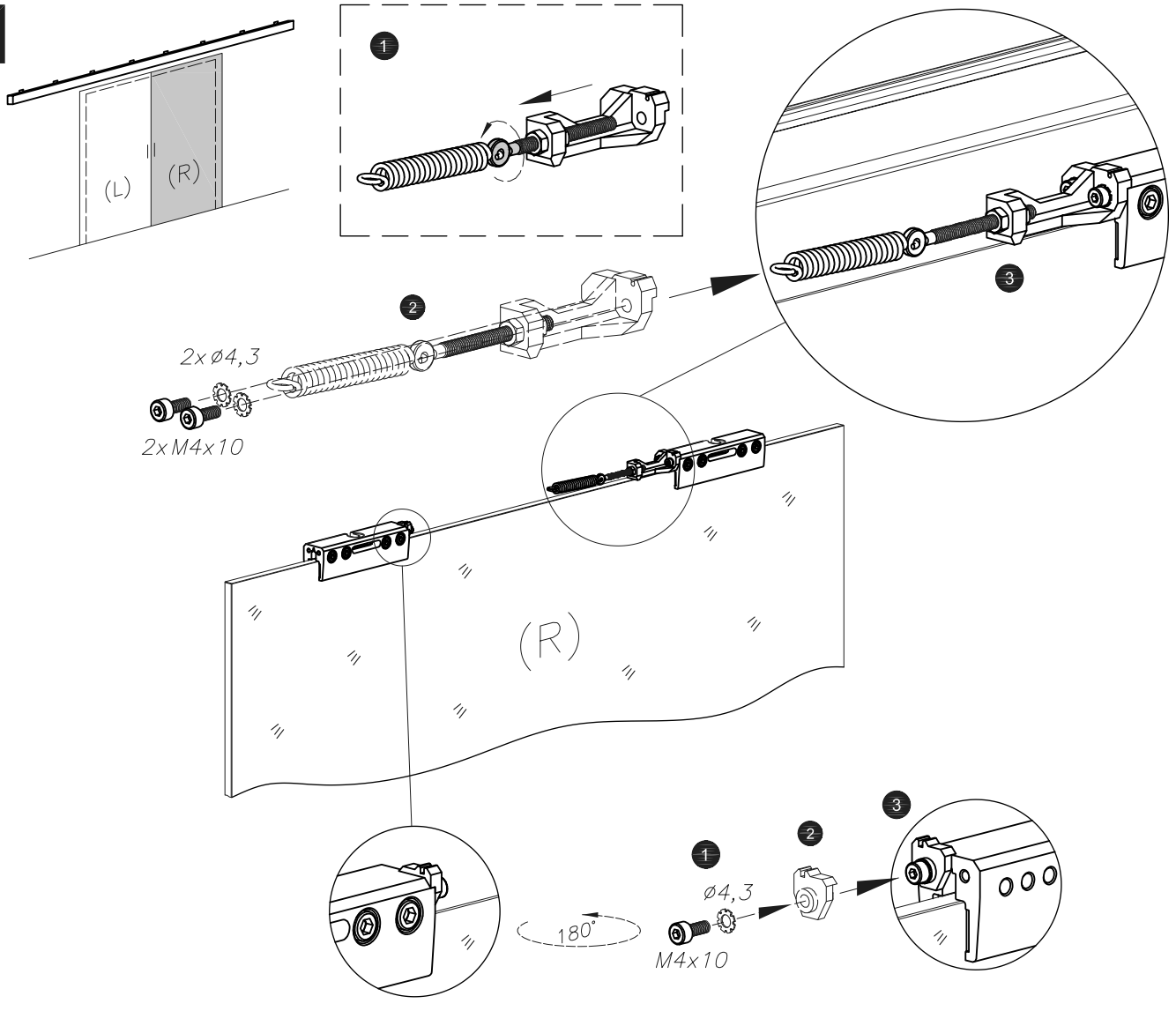
15



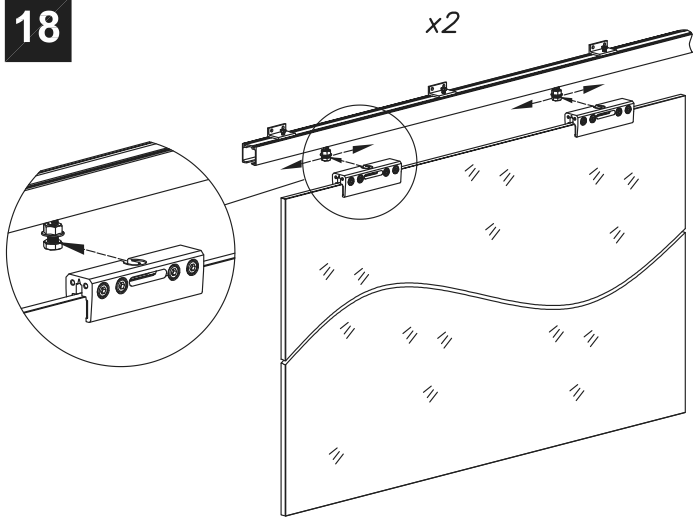
16



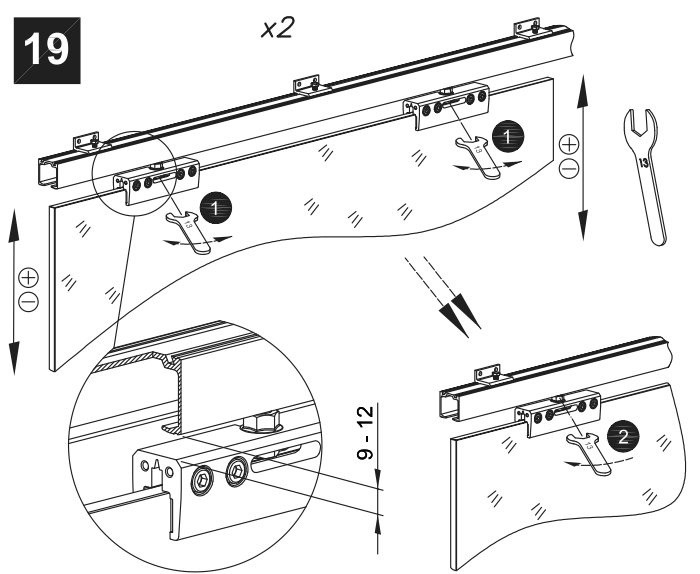
17

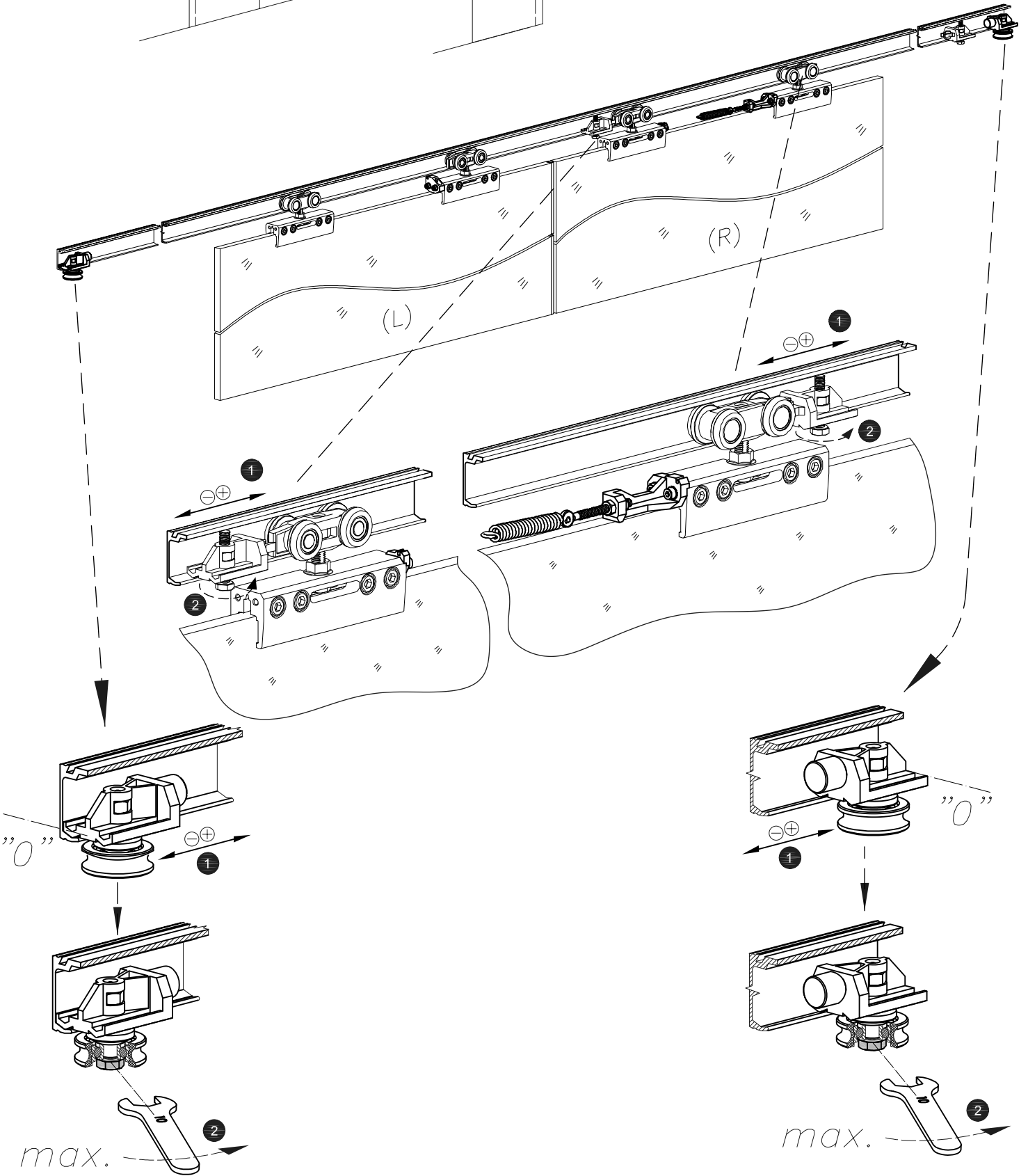
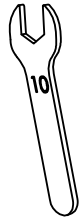
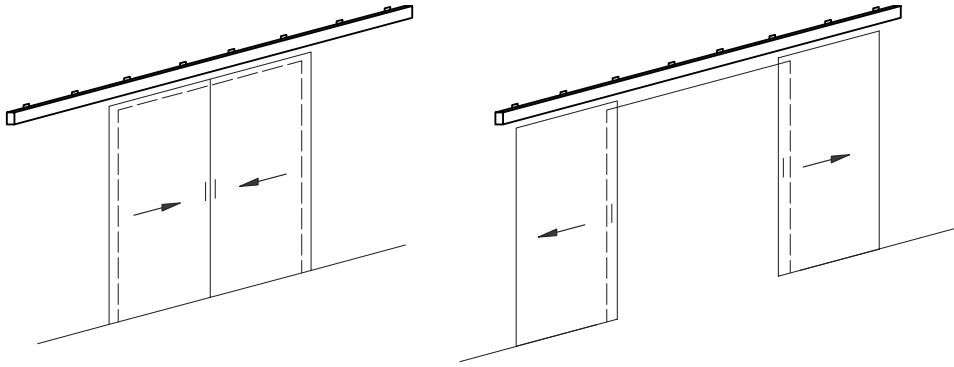


18

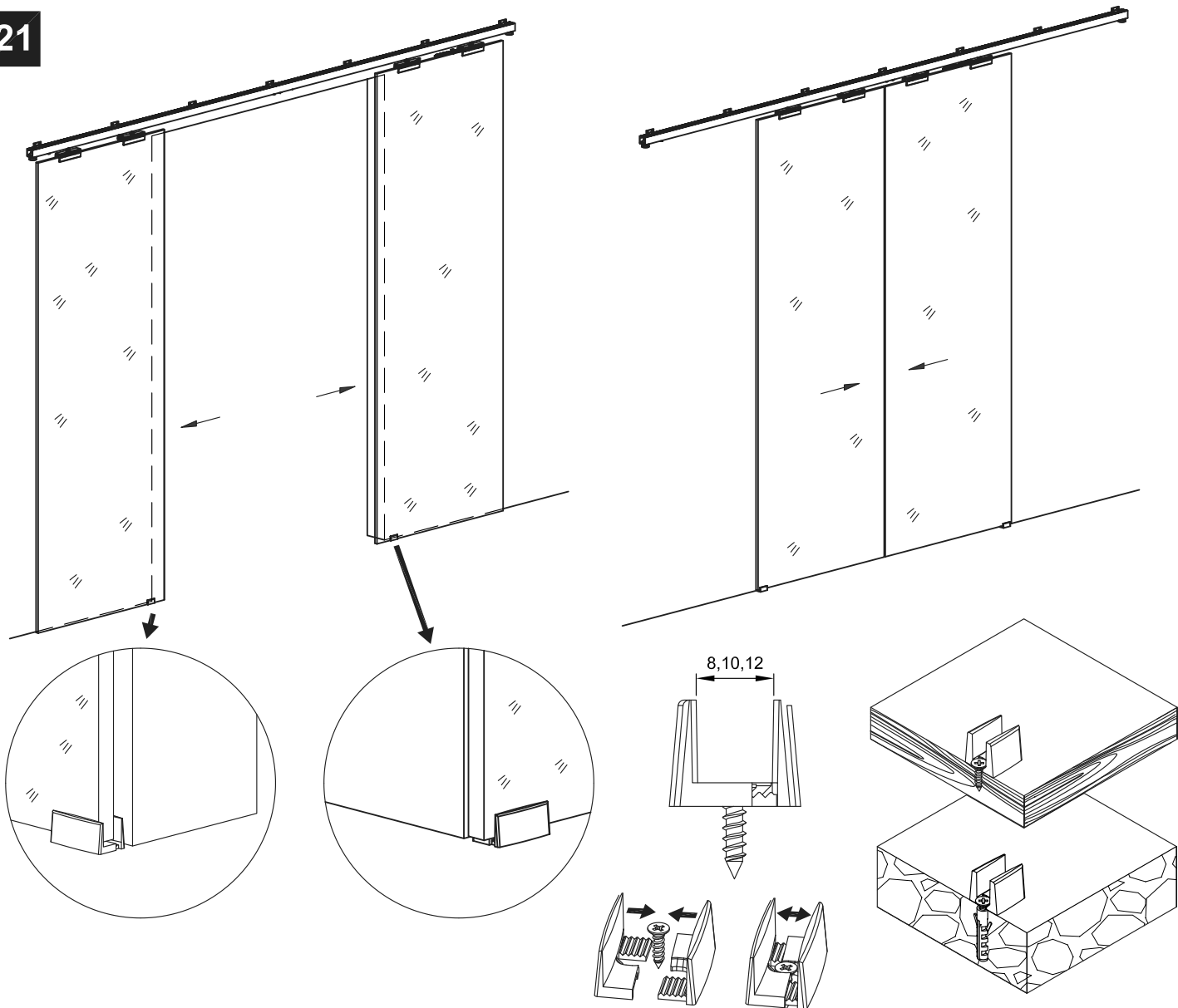


19





21



22

